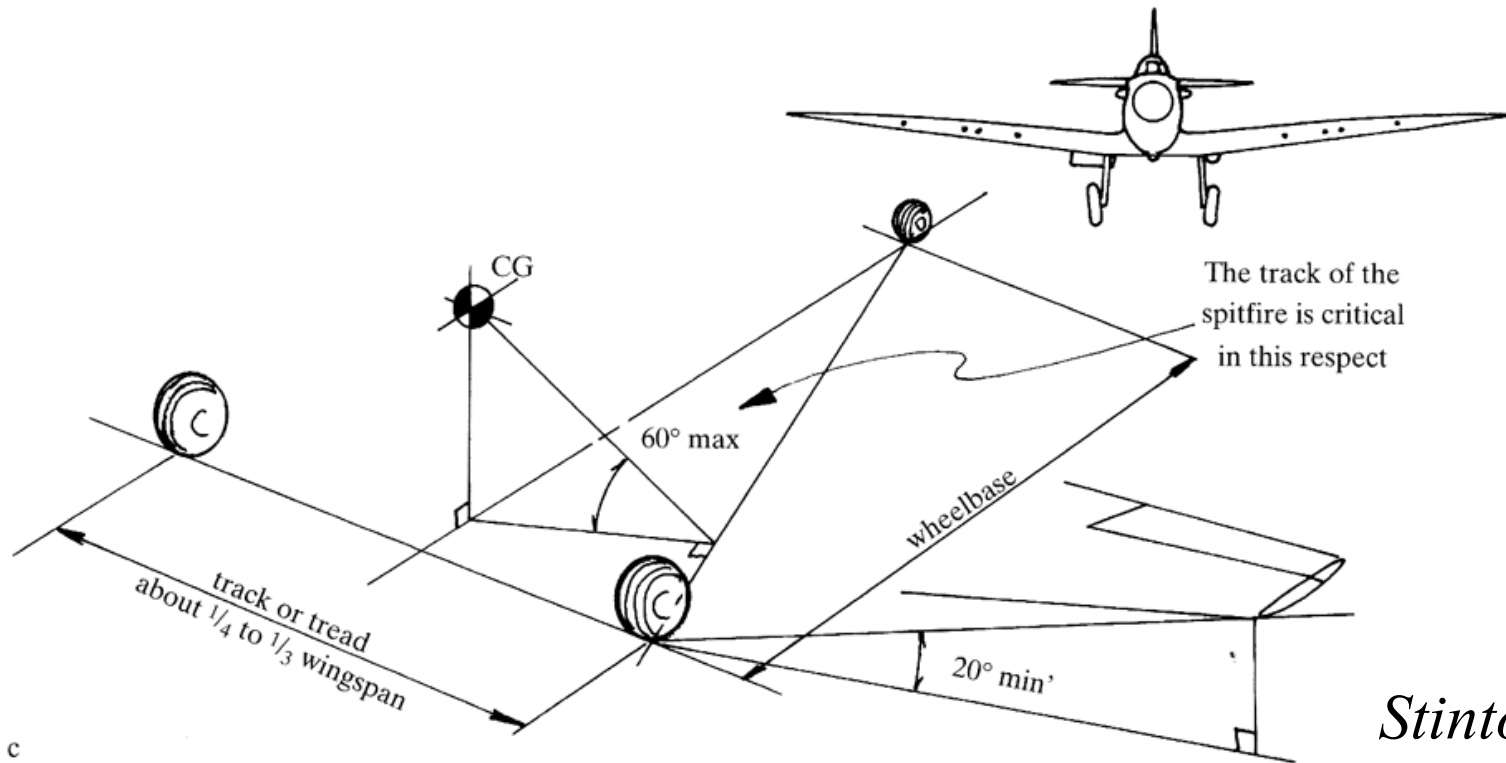
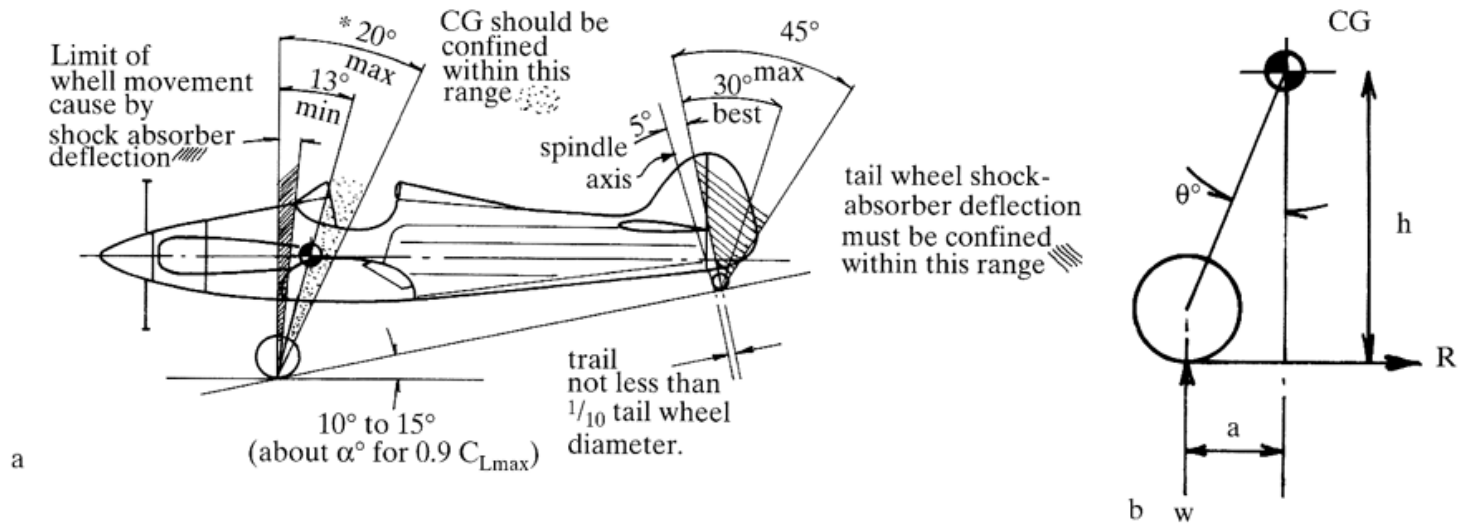
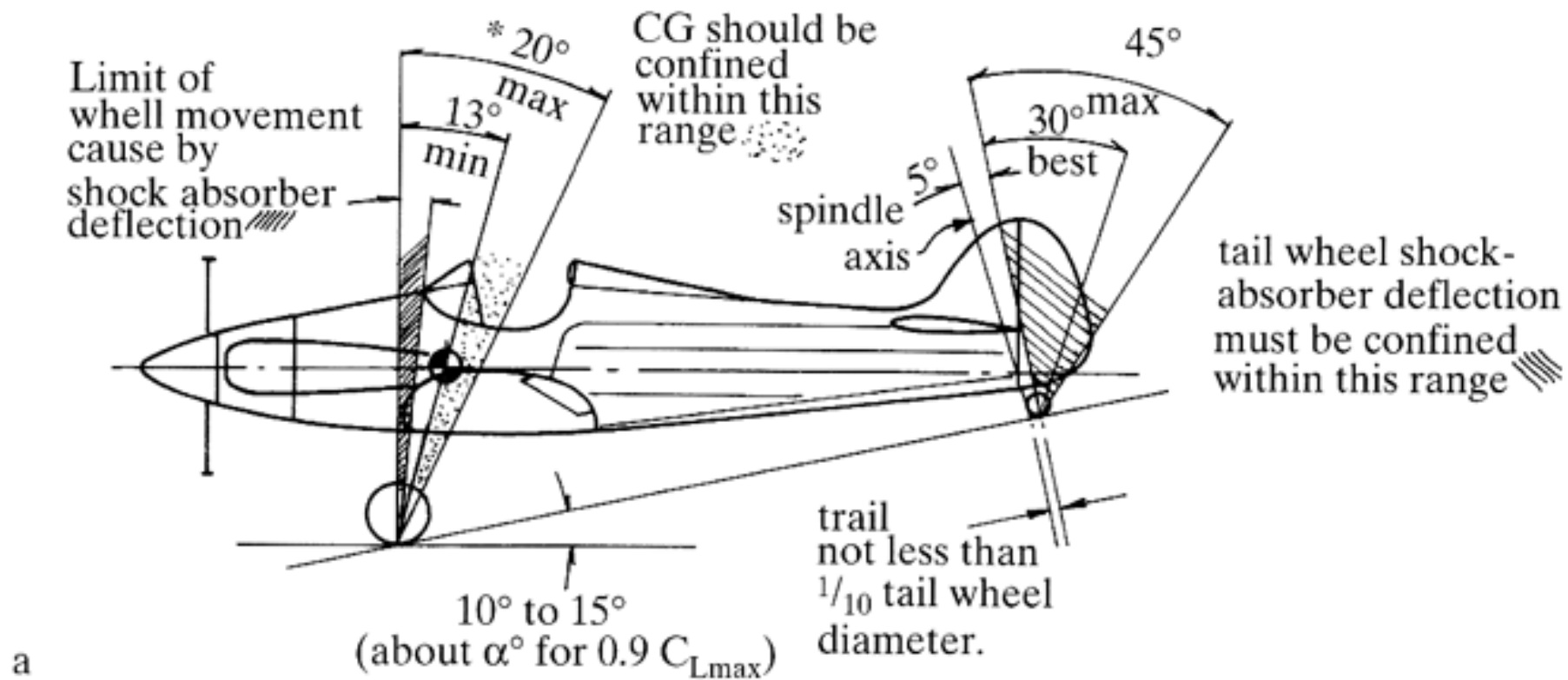


Data to determine landing gear size and it's position

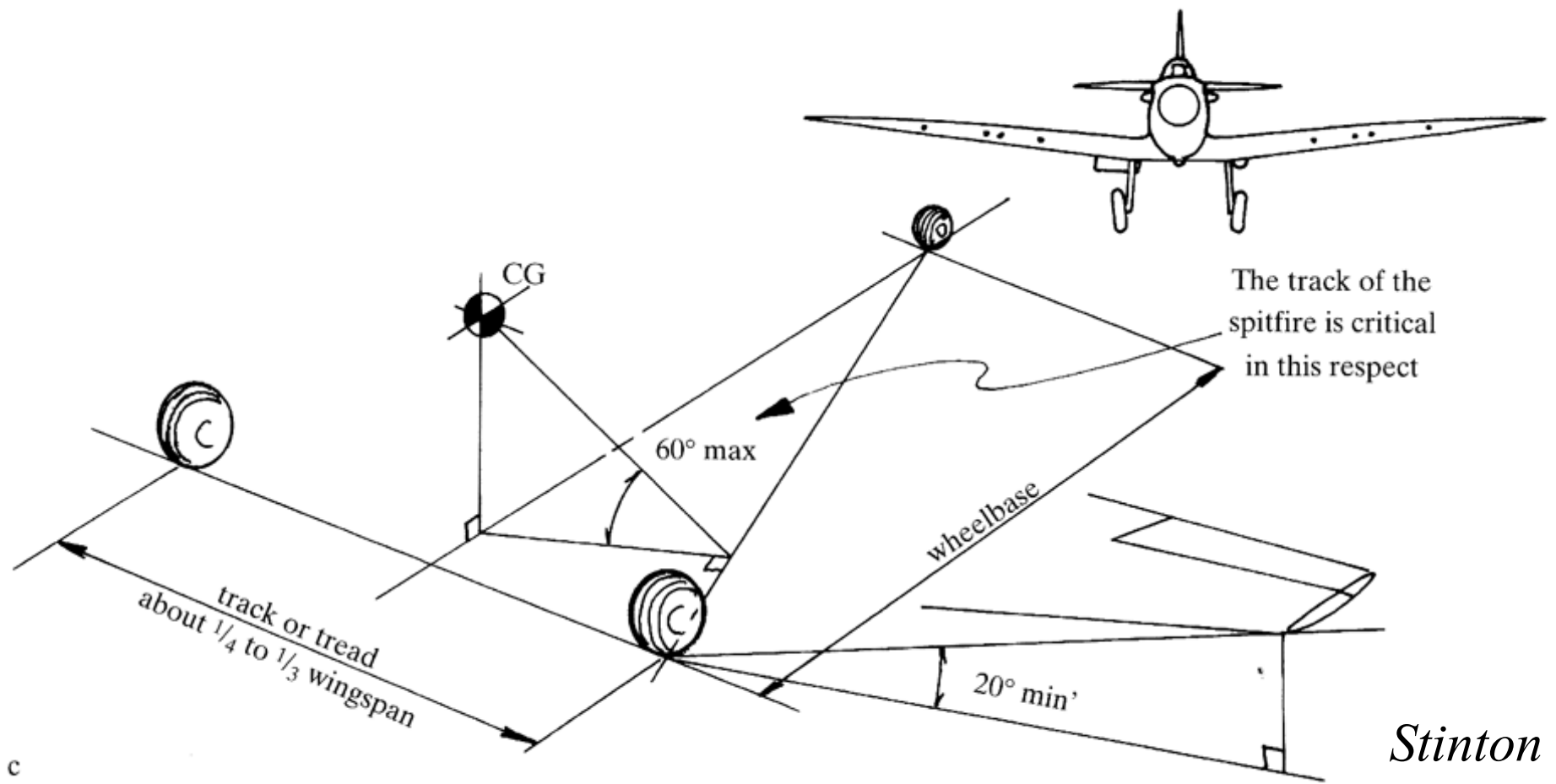
by D. Stinton „The Design of the Aeroplane”



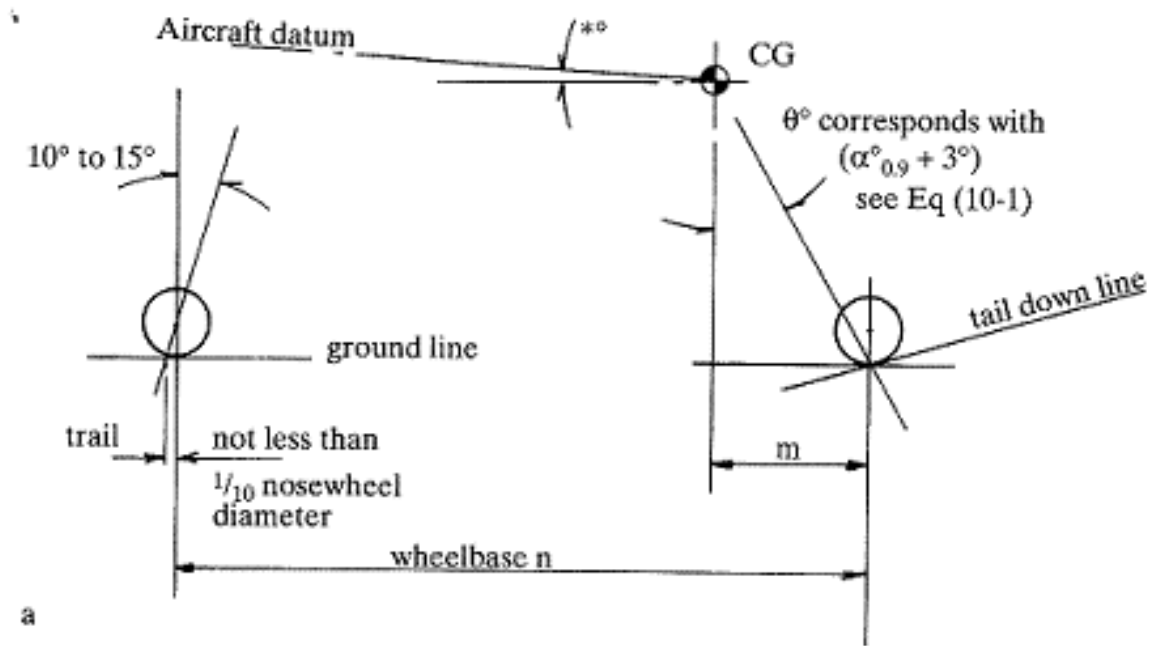
Stinton



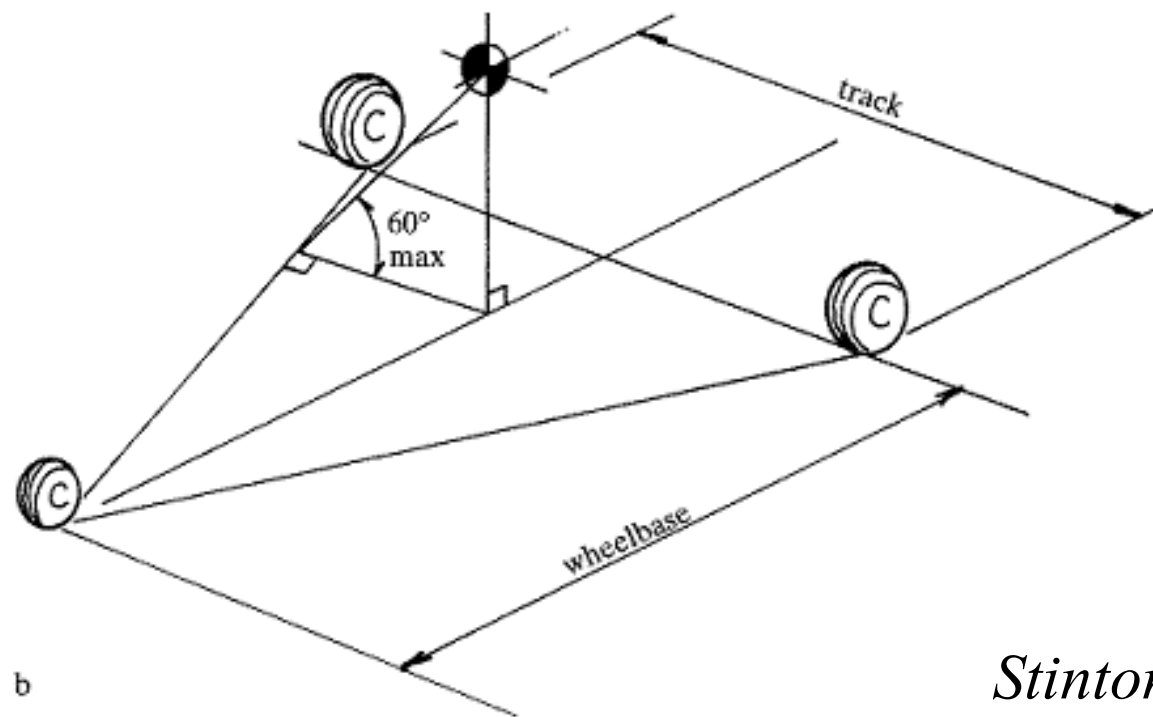
Stinton



c

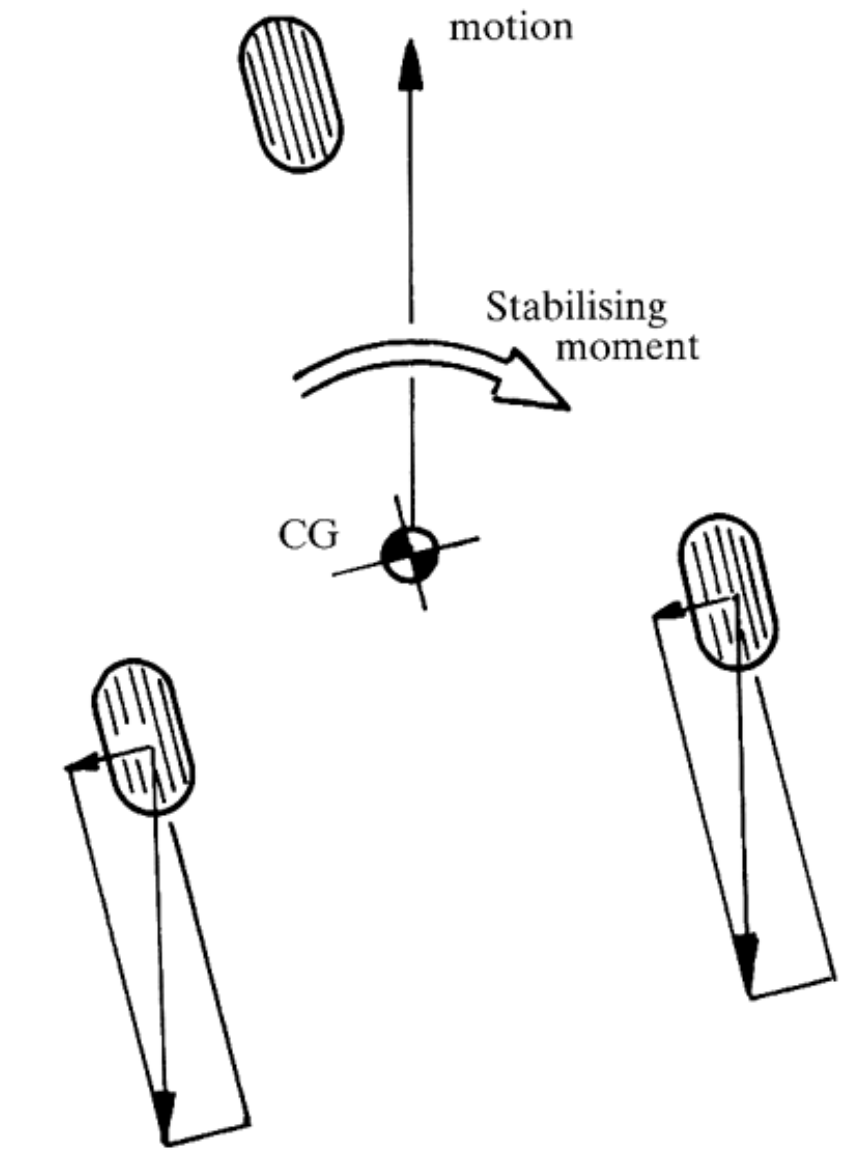


a

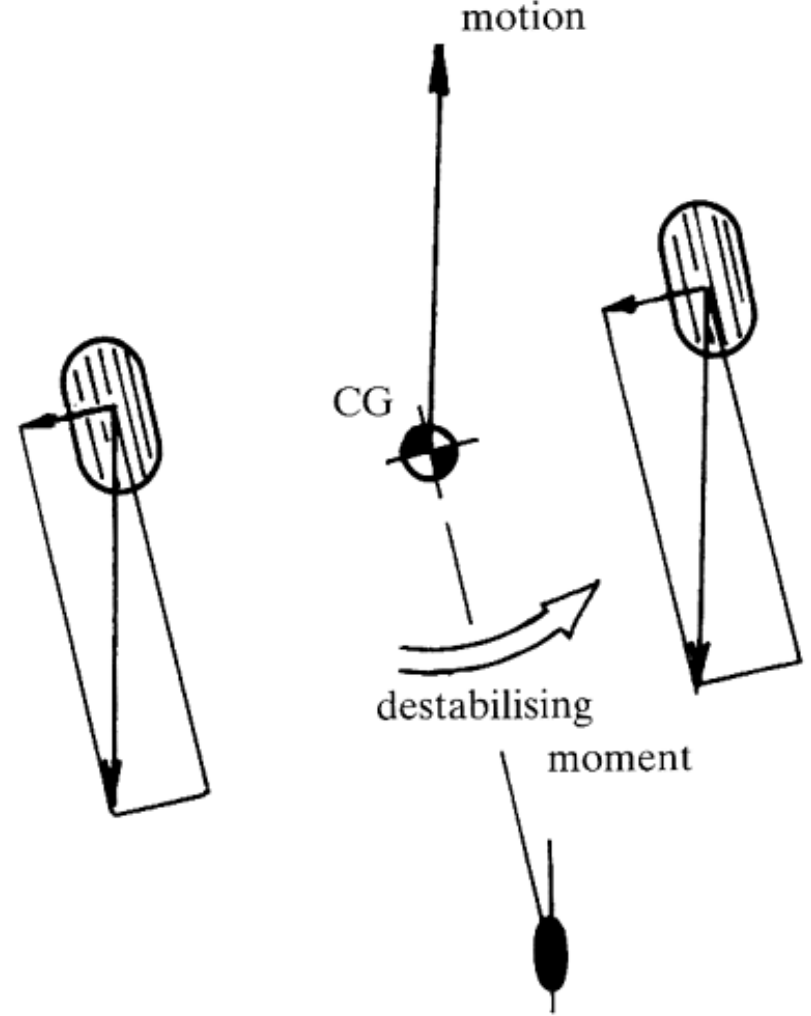


b

Stinton

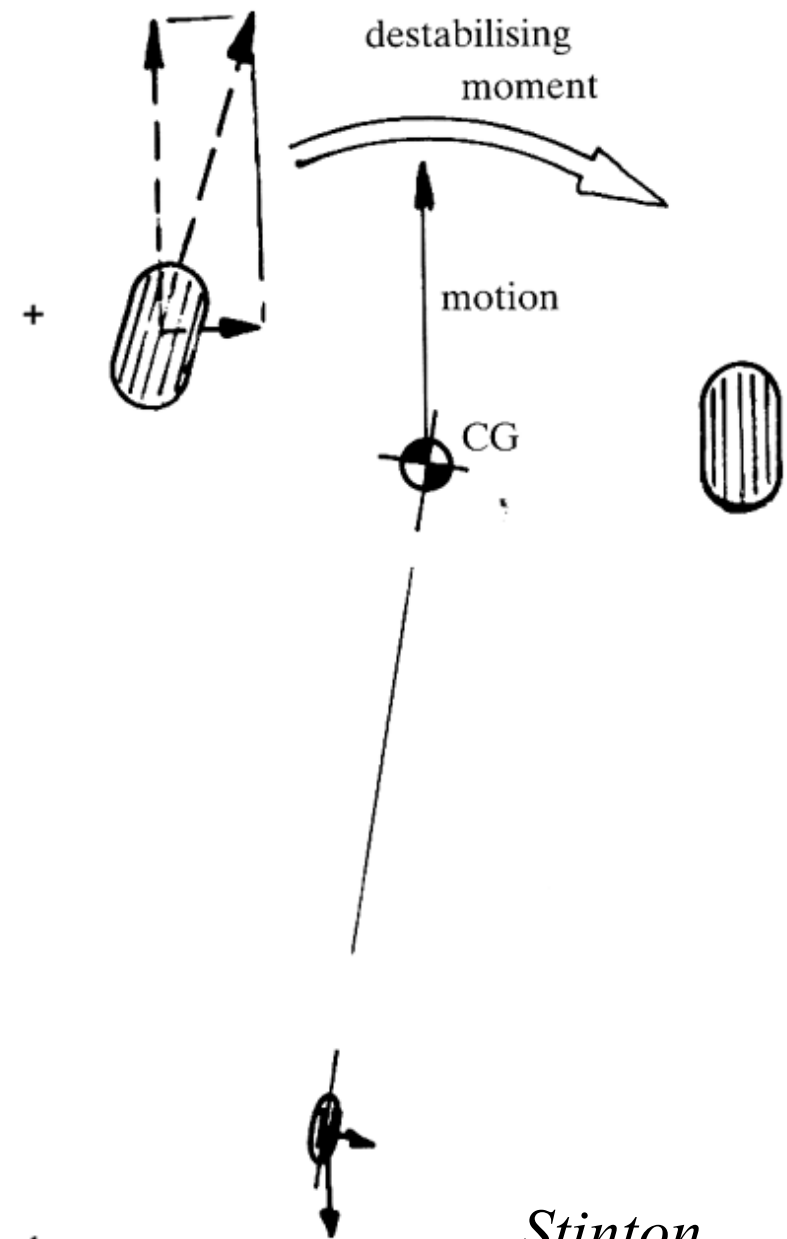
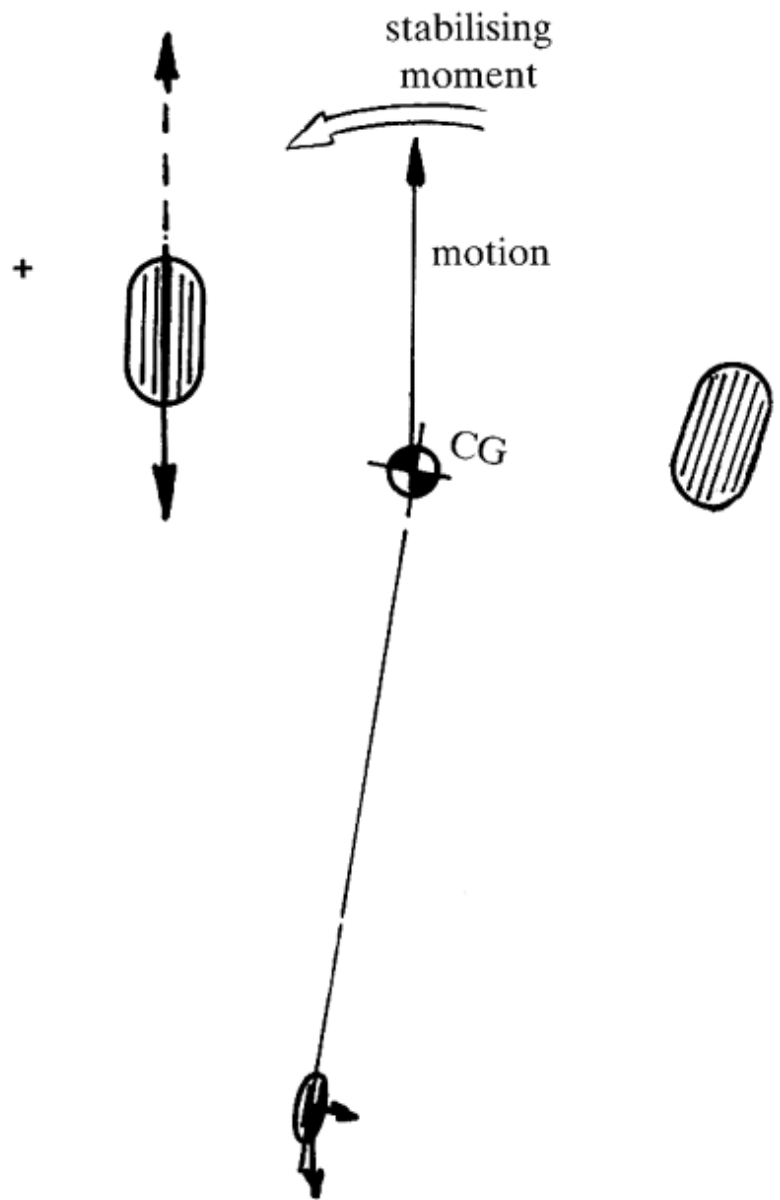


a

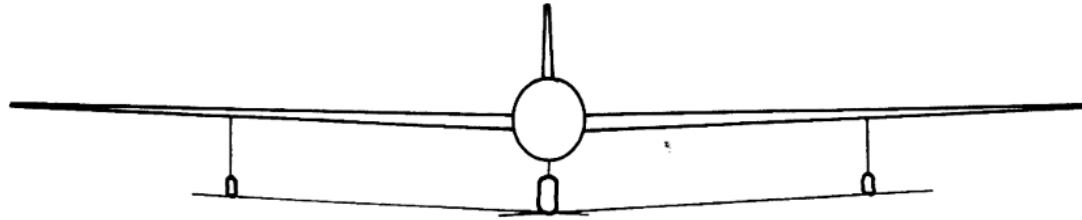


b

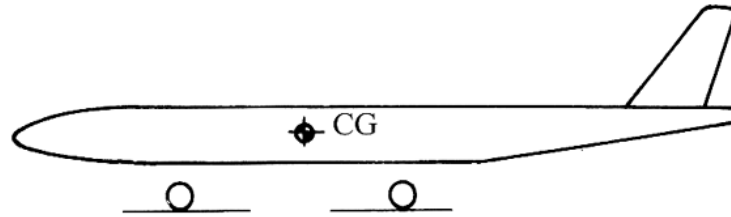
Stinton



d

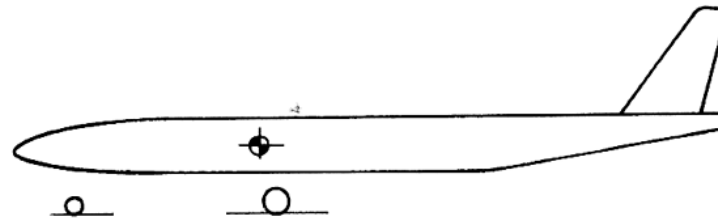


Front view applicable to a, b and c.
 Minimum outrigger loads occur when they are located at the radius of gyration of the aircraft in roll.



a

If each main gear unit is located at the radius of gyration of the aircraft in pitch, critical loads front and rear will be equal and a minimum.



b



c

Stinton