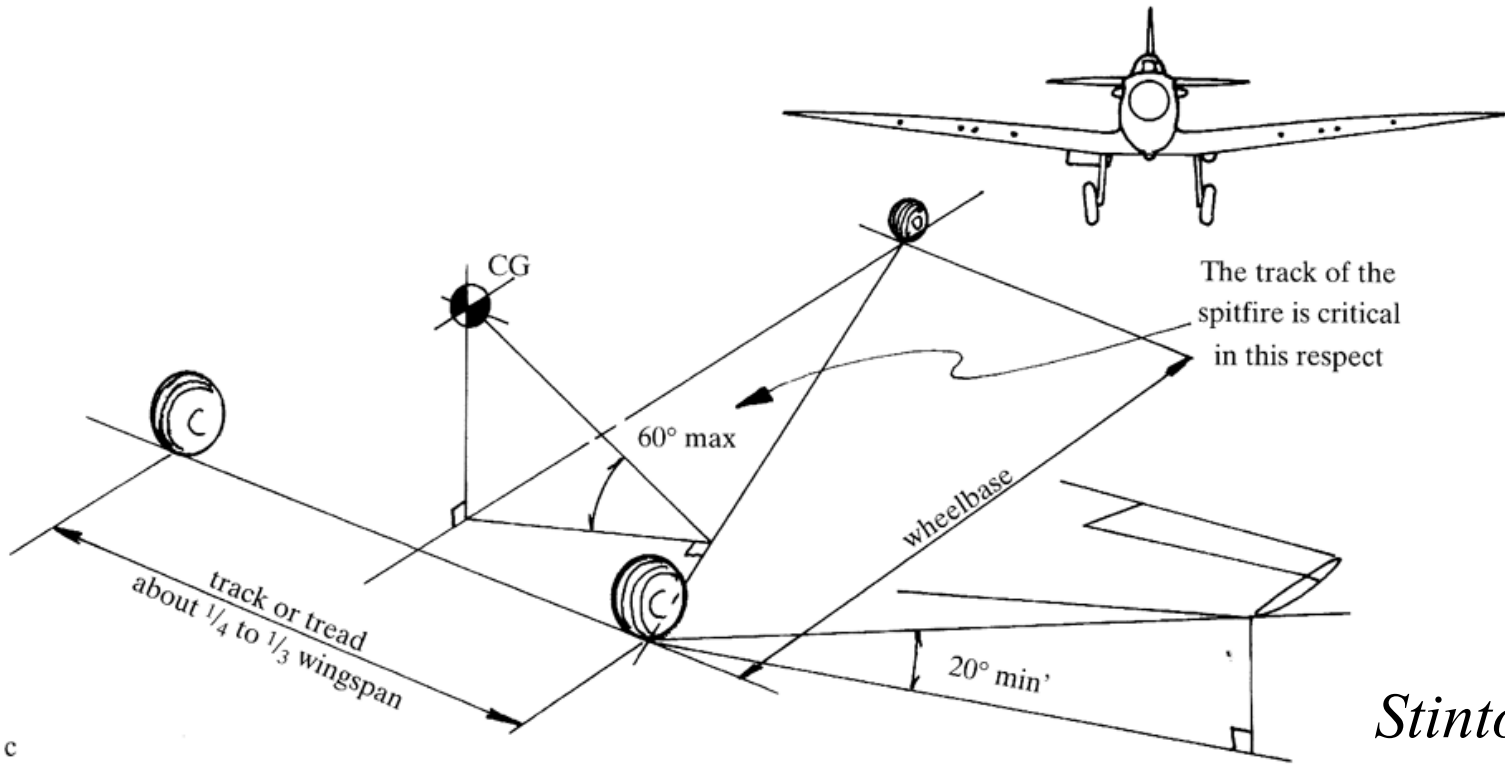
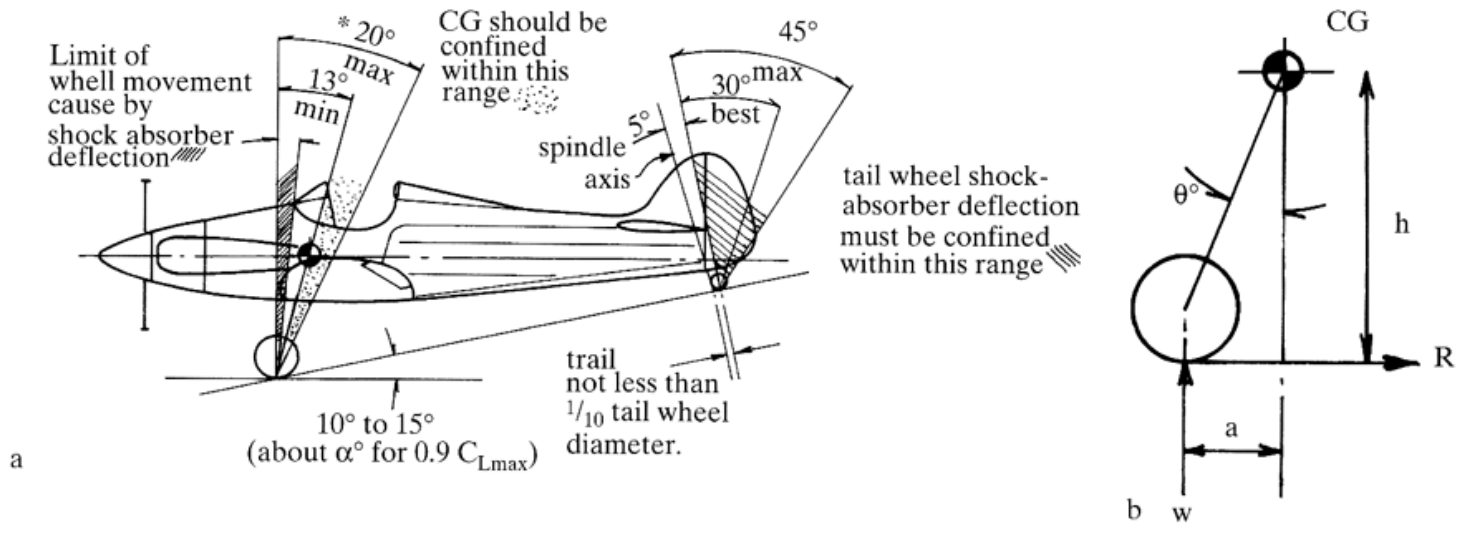


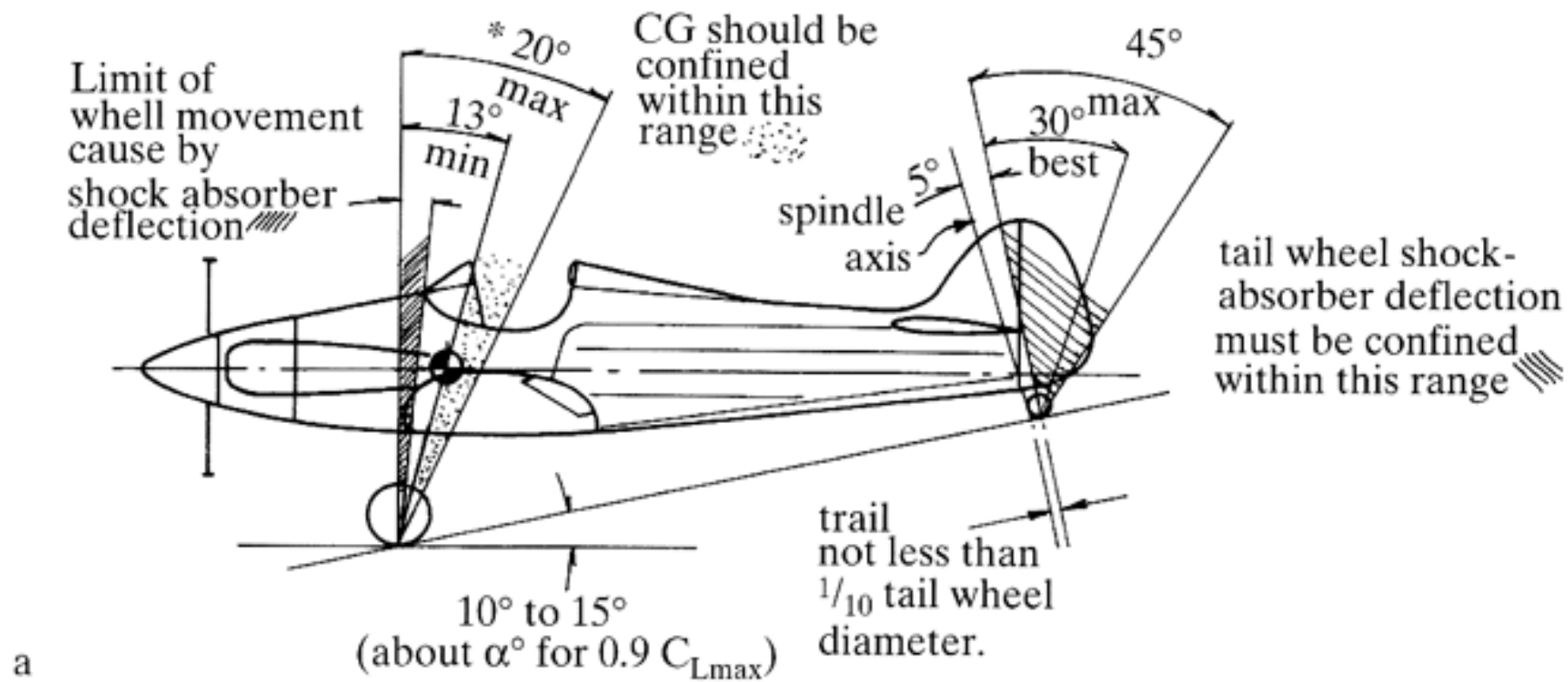
Pomoce do określenia wymiarów podwozia i jego położenia

wg D. Stinton „The Design of the Aeroplane”

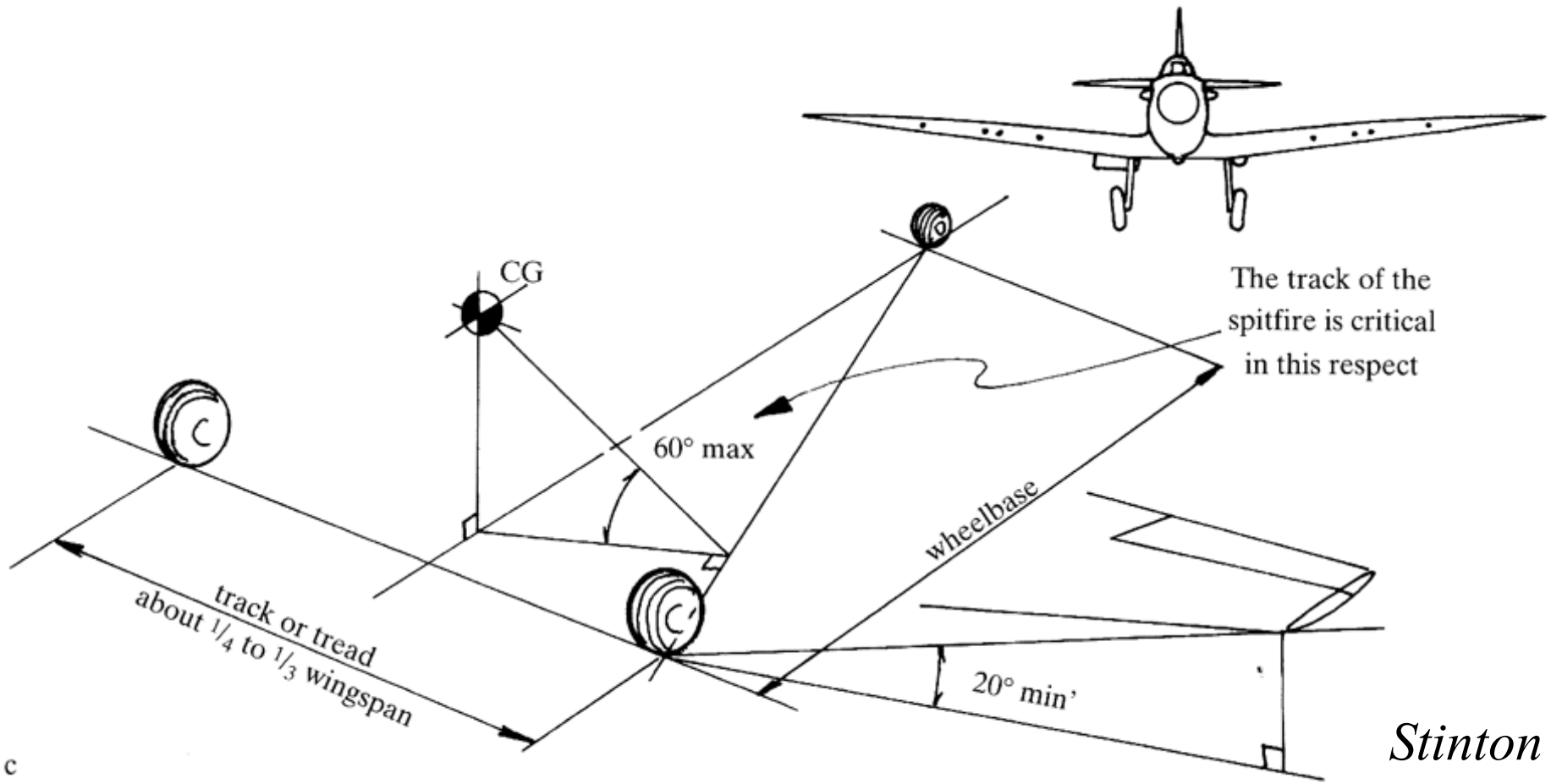


Stinton

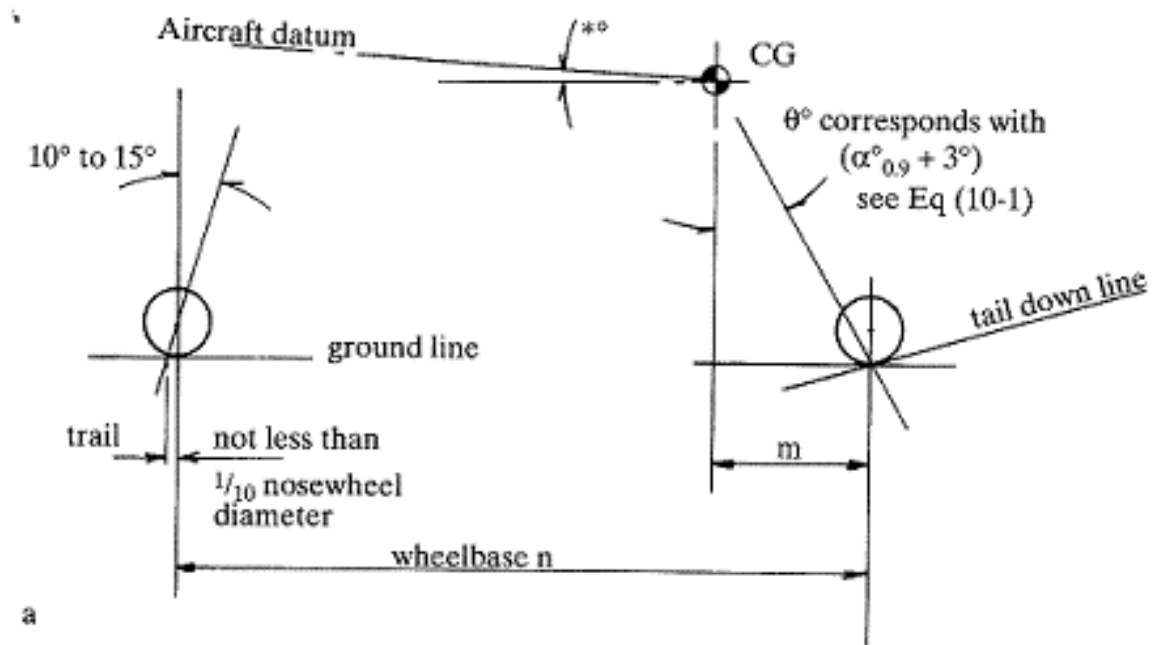
c



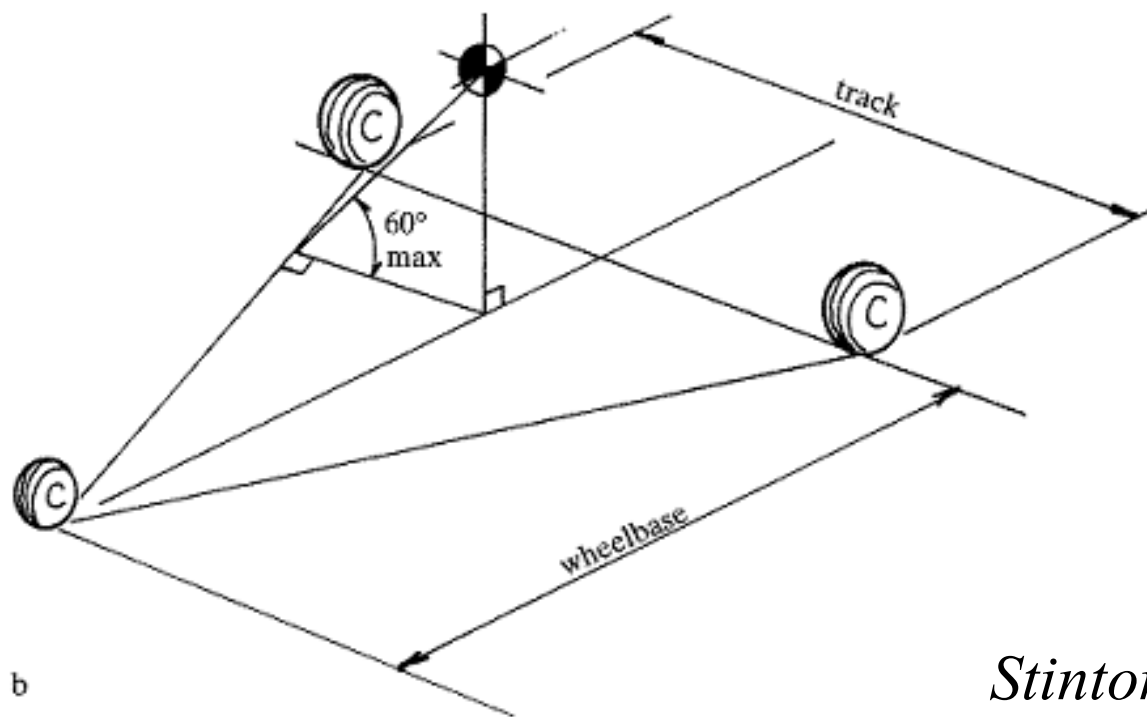
Stinton



Stinton

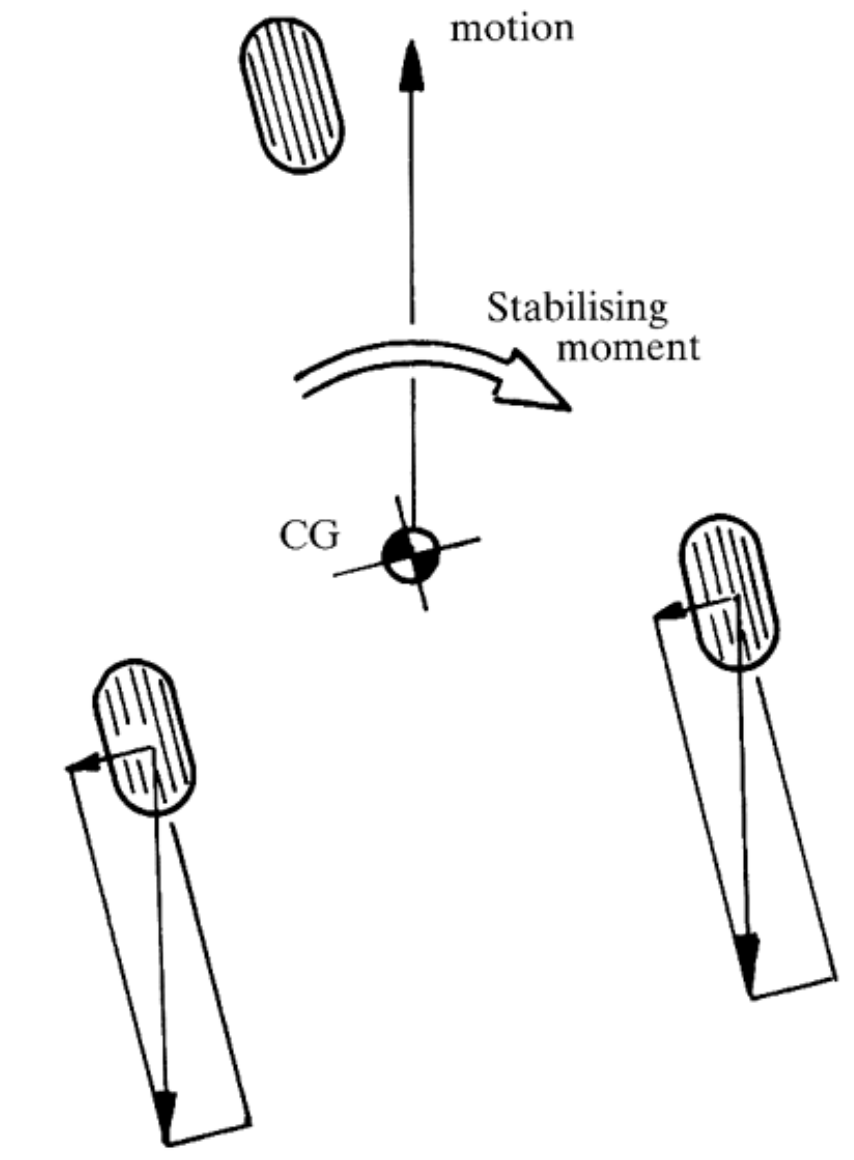


a

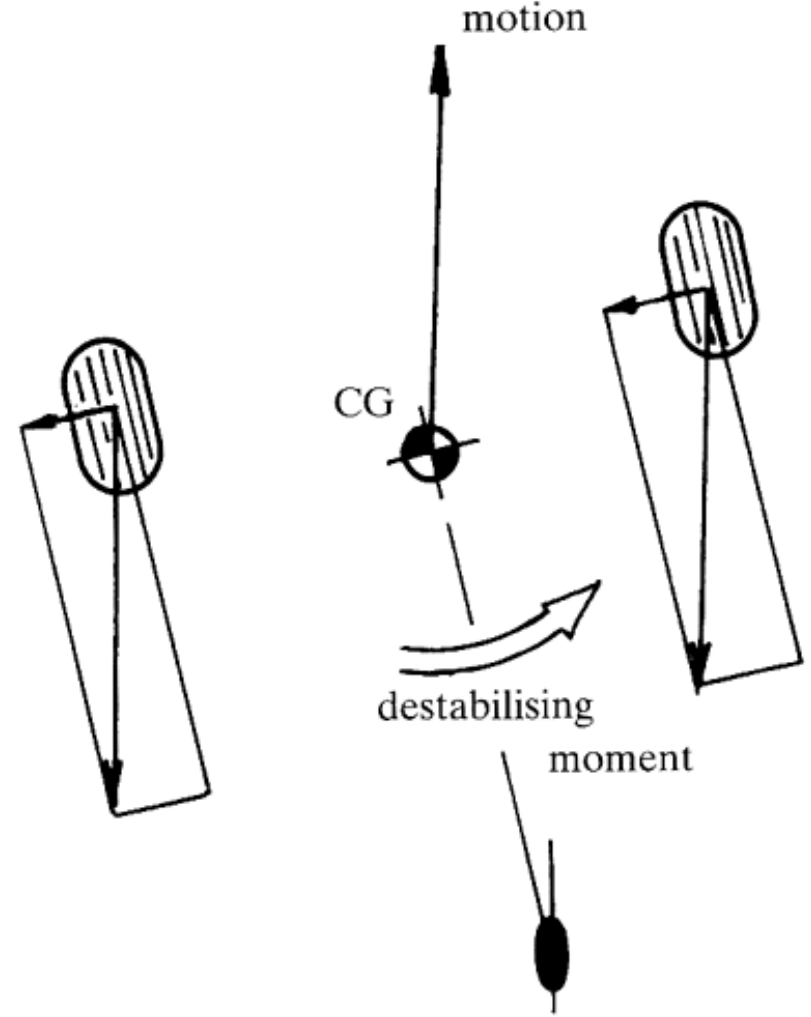


b

Stinton

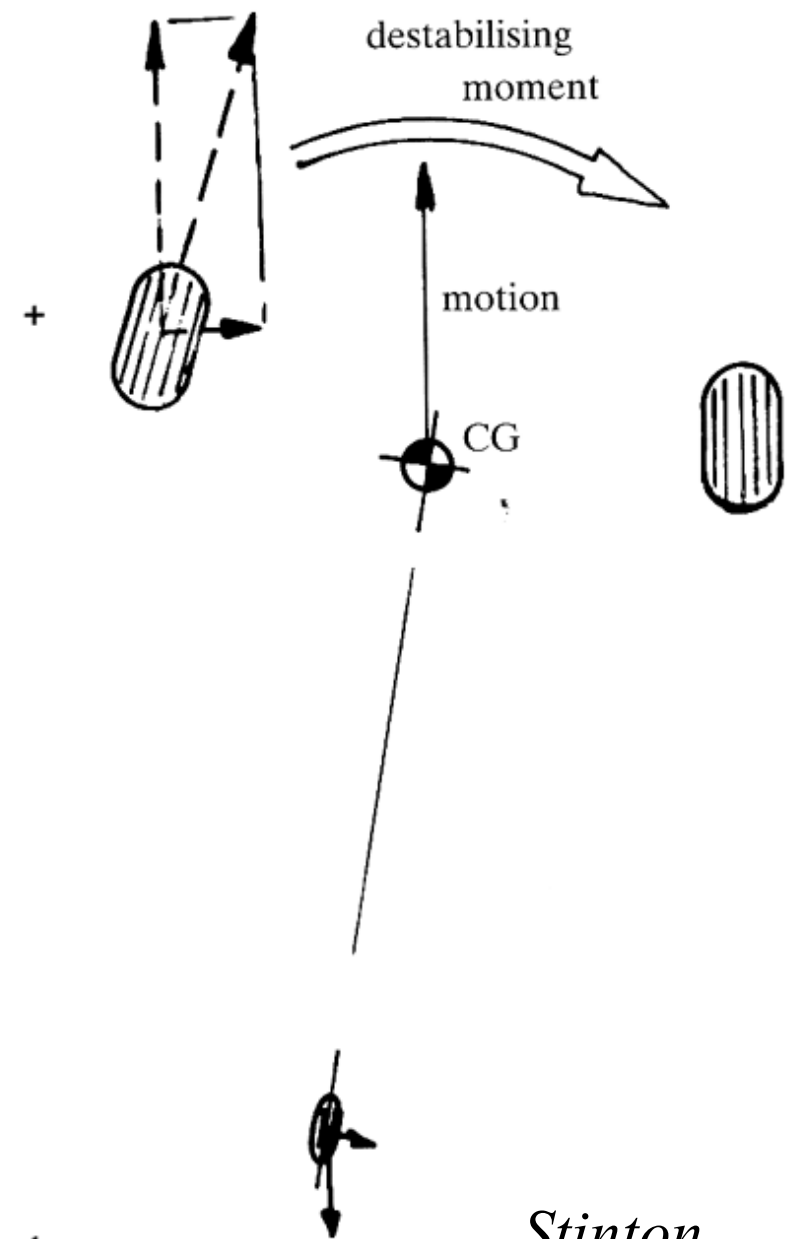
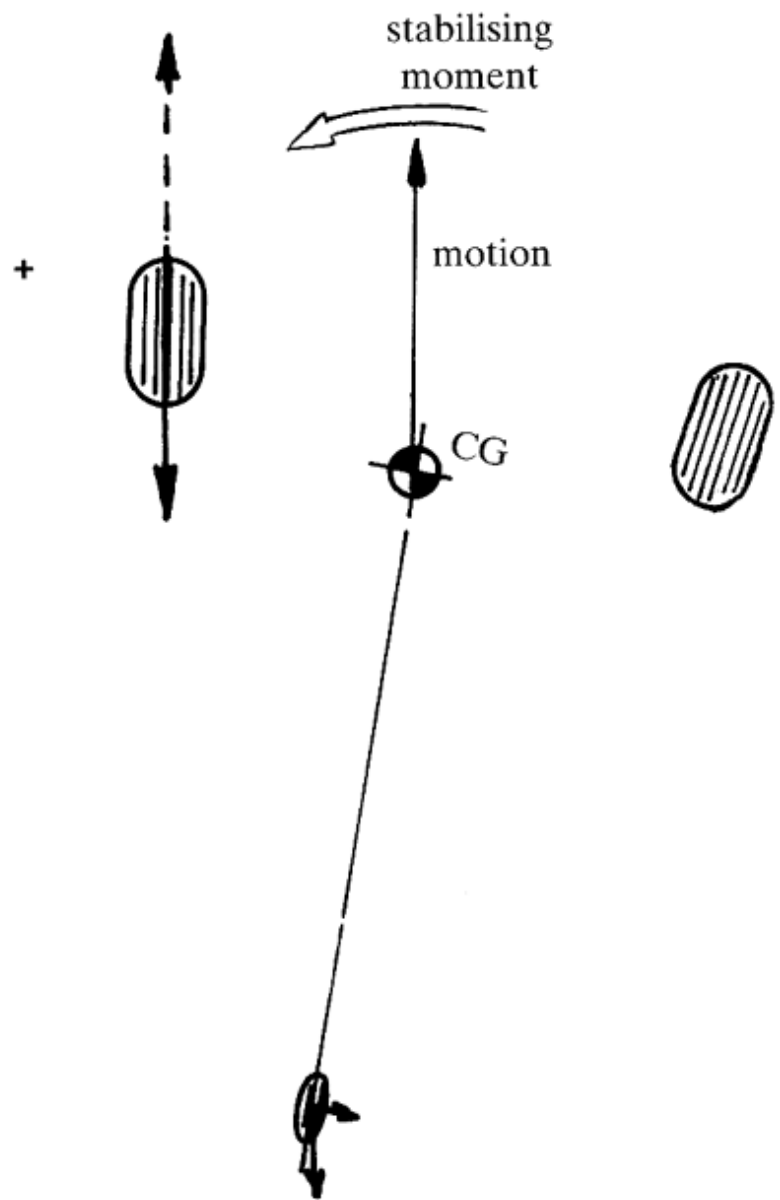


a



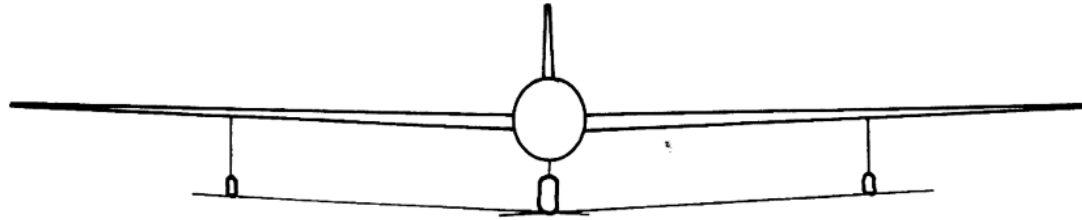
b

Stinton

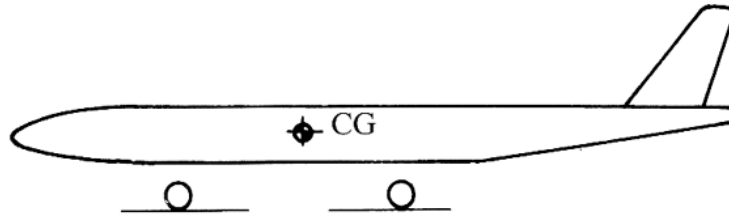


Stinton

d

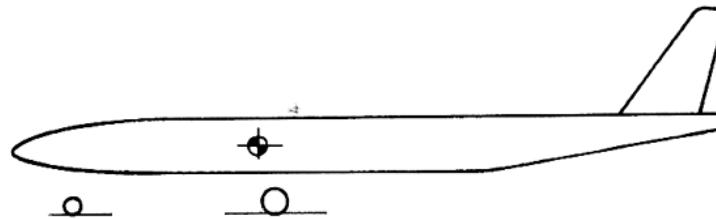


Front view applicable to a, b and c.
 Minimum outrigger loads occur when they are located at the radius of gyration of the aircraft in roll.



If each main gear unit is located at the radius of gyration of the aircraft in pitch, critical loads front and rear will be equal and a minimum.

a



b



c

Stinton